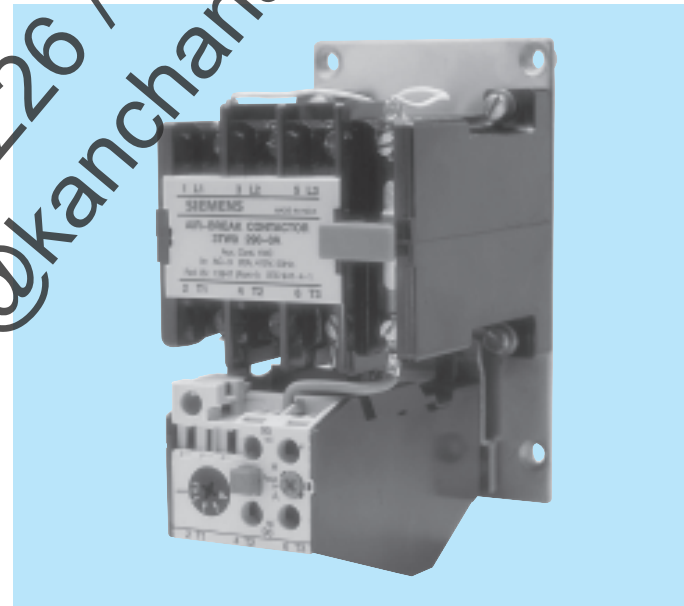


SIEMENS

Installation, Operation & Maintenance Instructions

DOL Starter Type 3TW42 00 (open execution)



Kanchan Enterprises
Ph.no.: 2533 3226 / 4766
Email id: e@kanchanand.com

For dependable service, it is of utmost importance that instructions given below are followed for selection, inspection, installation, commissioning, operation and maintenance.

Selection:

- Refer Table A,B,C and D for recommended selection of starters.
- Table A: kW/HP rating, thermal overload relay range & fuse rating.
- Table B: Coil voltage
- Table C: Relay range codes.
- Table D: Max full load currents for different types of motors.

Inspection:

- Ensure that the relay range and coil voltage are as per your requirement.
- Inspect interior for breakage.
- If you find a serious defect, do not use the product but have it checked by an authorized Siemens dealer or an electrician.

Installation:

- Mount the starter in an enclosure and the enclosure on a vertical rigid surface free from vibration. The drilling template is enclosed for convenience. Refer Fig.1 for mounting dimensions and Fig.2 for permissible displacement from vertical plane.
- The enclosure should not allow ingress of dust,dirt or contamination.
- Connect the incoming and outgoing cables as follows :
 - Select the correct size of cables from the table-1
 - Connect line & motor leads exactly as per wiring diagram.
 - Terminal screws: M4
 - Tightening Torque: 80-110 Nm

The Starter is now ready for commissioning.

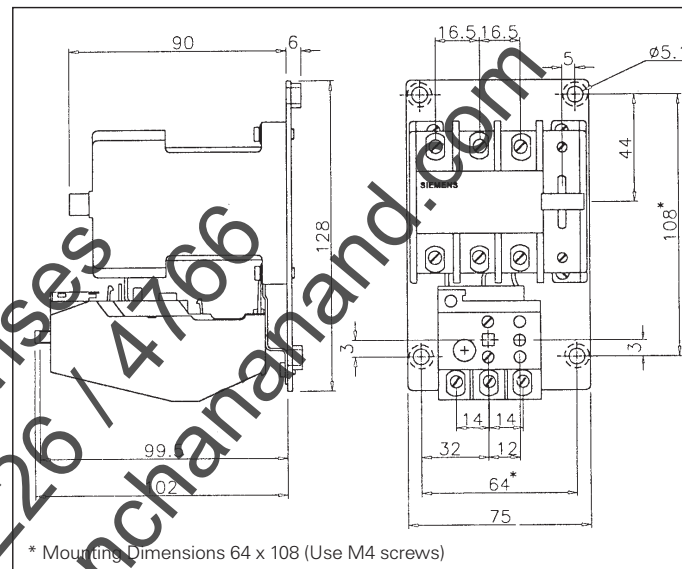


Fig. 1 : Dimensional Details

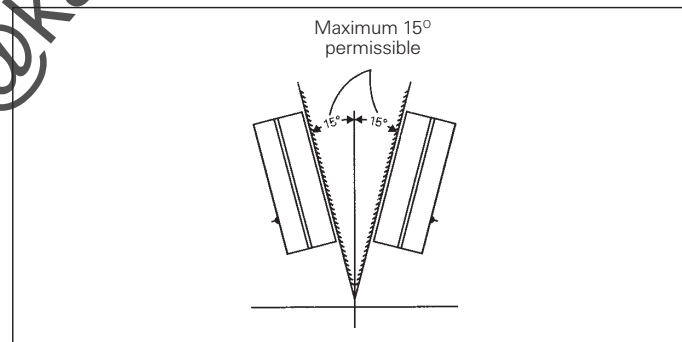


Fig. 2 : Maximum permissible displacement from vertical plane

